



# DNH

HEAD OFFICE, NORWAY  
DNH AS

Phone..... + 47 35 98 56 00  
Fax..... + 47 35 98 56 10  
E-mail..... dnh@dnh.no  
Web-Site..... www.dnh.no

ENGLAND  
DNH WW Ltd

Phone..... + 44 1908 275 000  
Fax..... + 44 1908 275 100  
E-mail..... dnh@dnh.co.uk

GERMANY  
DNH GmbH

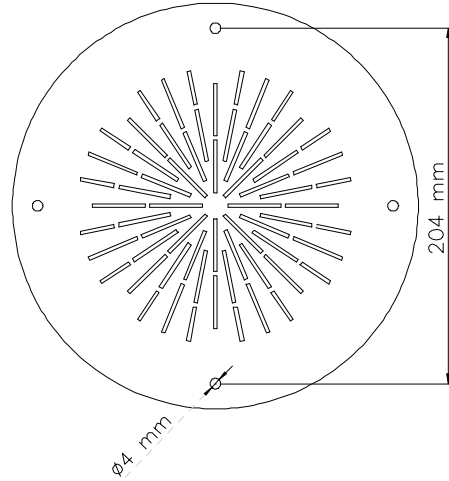
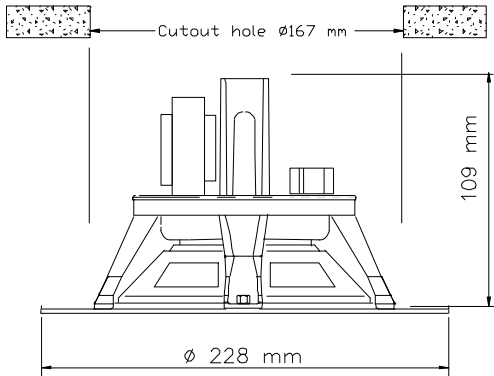
Phone... + 49 040 6569 30-0  
Fax..... + 49 040 6569 30-30  
E-mail..... dnh@dnh.de

## B-620(T)

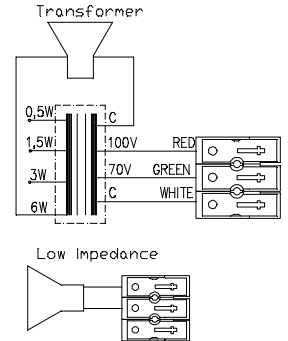
USA  
DNH Speakers Inc

Phone..... + 1 484 494 5790  
Fax..... + 1 484 494 5793  
E-mail..... dnh@dnhspeakers.com

ISO 9001 CERTIFIED



### CIRCUIT DIAGRAM



70/100 Volt combined transformer	
Primary connections	
White : Green	70 V
White : Red	100 V
Secondary nominal tapings	
C : 6W	6,0 W
C : 3W	3,0 W
C : 1,5W	1,5 W
C : 0,5W	0,5 W

### Sound pressure levels at 1W/1m w/ P-6/15B



### Specifications

Material / Color	PA V0/Aluminum / RAL 9010
Mounting	4 Screws
Termination	Spring clamps
Weight w/transformer	0,87 kg
IP-rating	
Max. / min. amb. temp	90°C / -20°C
Rated / max. power	6 W / 15 W
SPL 1W/1m	92 dB
SPL rated power	99 dB
Effective freq. range	90 – 20000 Hz
Dispersion (-6dB) 1kHz / 4kHz	130° / 60°
Directivity factor, Q	
Options	Impedances, colors, labels

### Installation, Operation and Maintenance Procedures

- Connect cable to terminal (70V or 100V) and select required tapping in the transformer.
- Install loudspeaker grill by 4 screws.
- For optimum performance, always use the correct voltage / power and operate within the frequency limits as stated.
- Do not open loudspeaker when energized.
- This loudspeaker is supplied with a 2 year warranty against defective workmanship.

DNH reserves the right to alter specifications without notice

